



Leaderway *VERTICAL MACHINING CENTER*

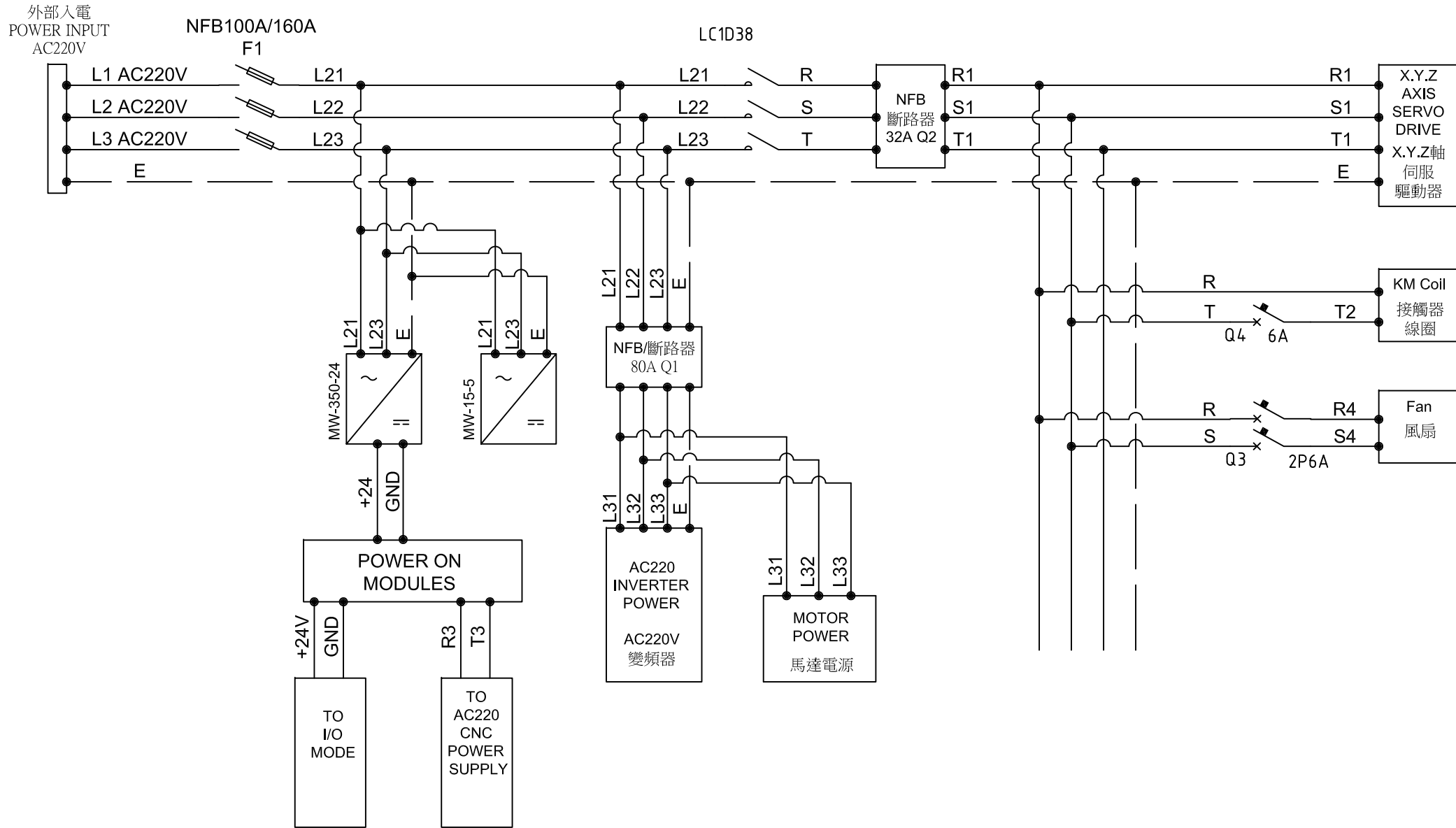
VERTICAL MACHINING CENTER

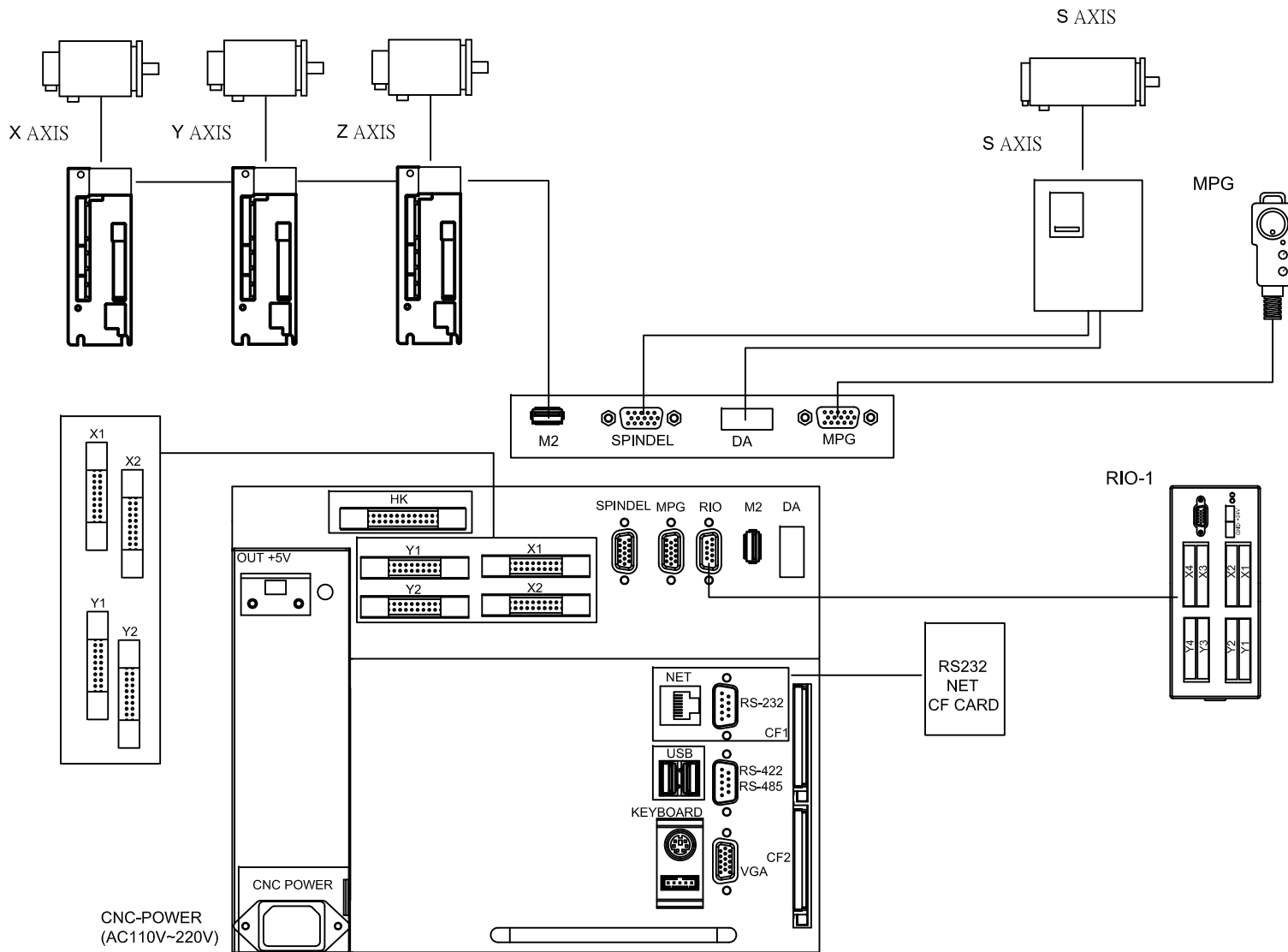
ELECTRICAL MANUAL PC-BASED

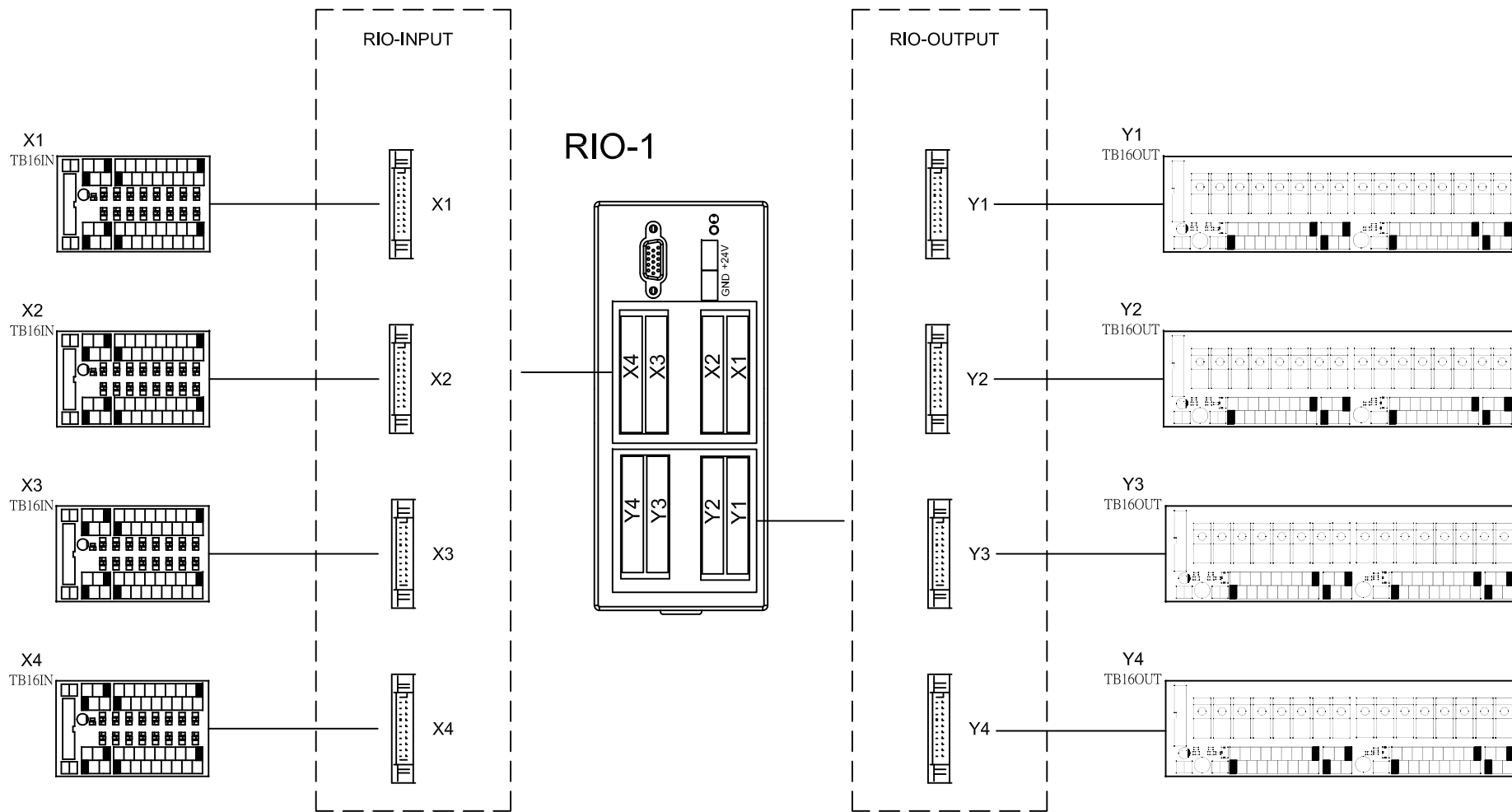
VMC-2516

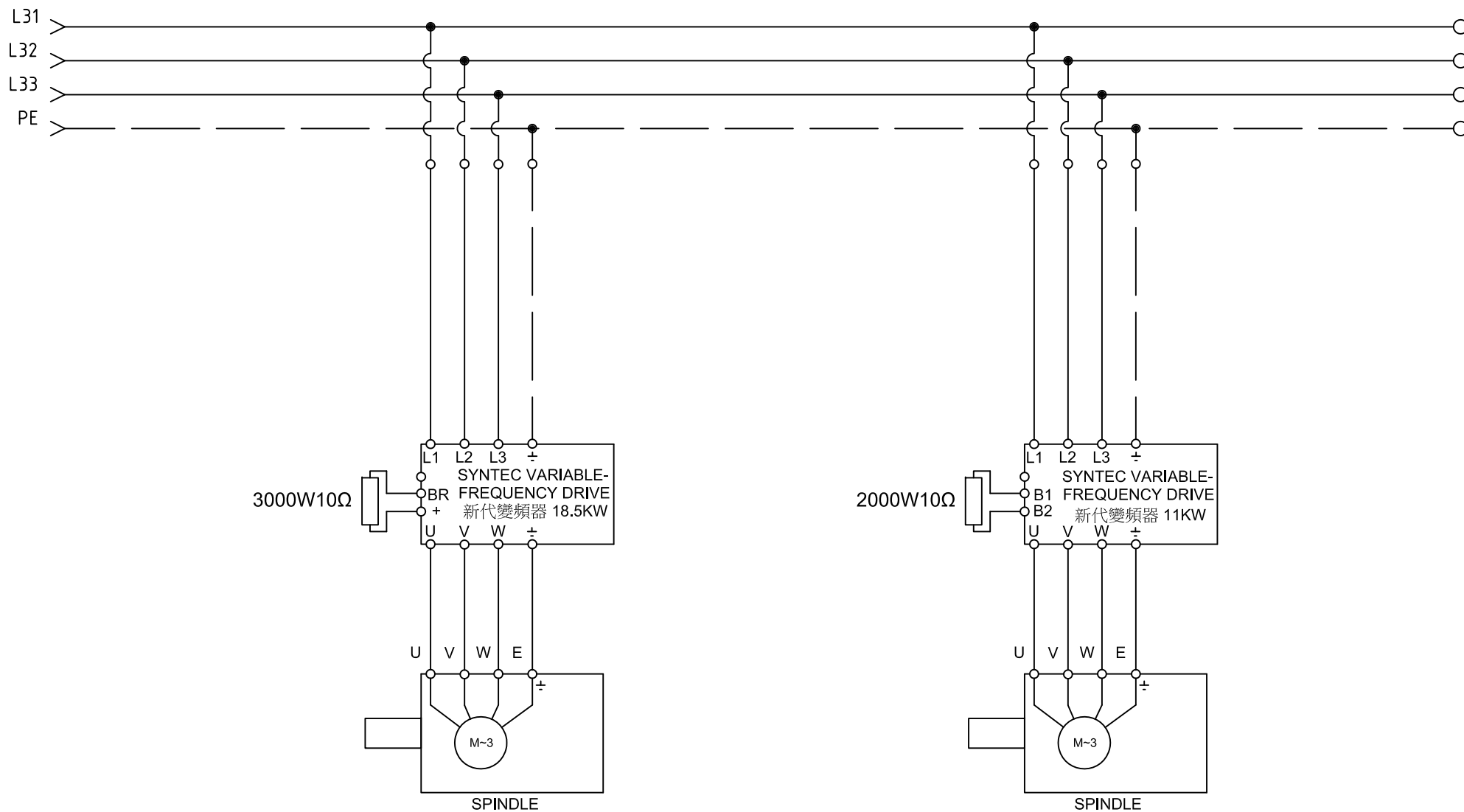
LEADERWAY CNC TECHNOLOGIES CO., LTD.
NO. 36, Ln. 211, Taiming Rd.,
Wuri Dist, TAICHUNG 41468, TAIWAN
TEL: +886-4-2335-0711
FAX: +886-4-2335-0986

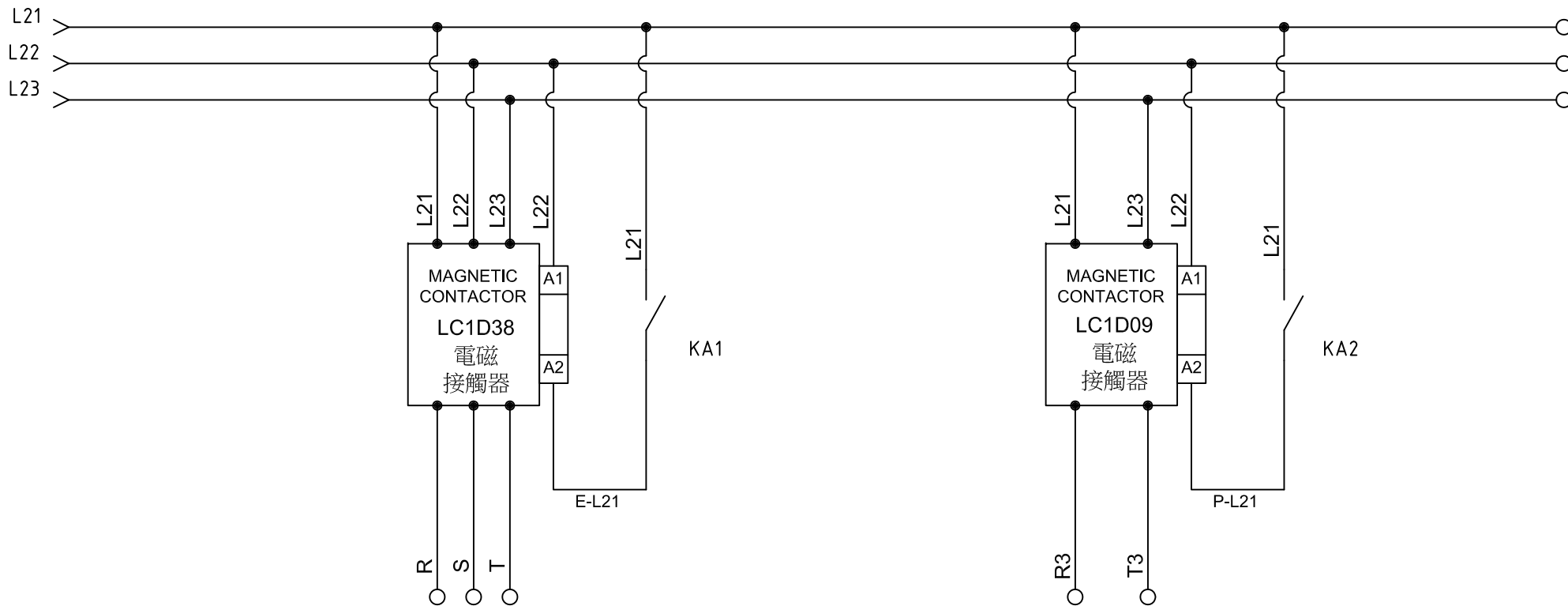


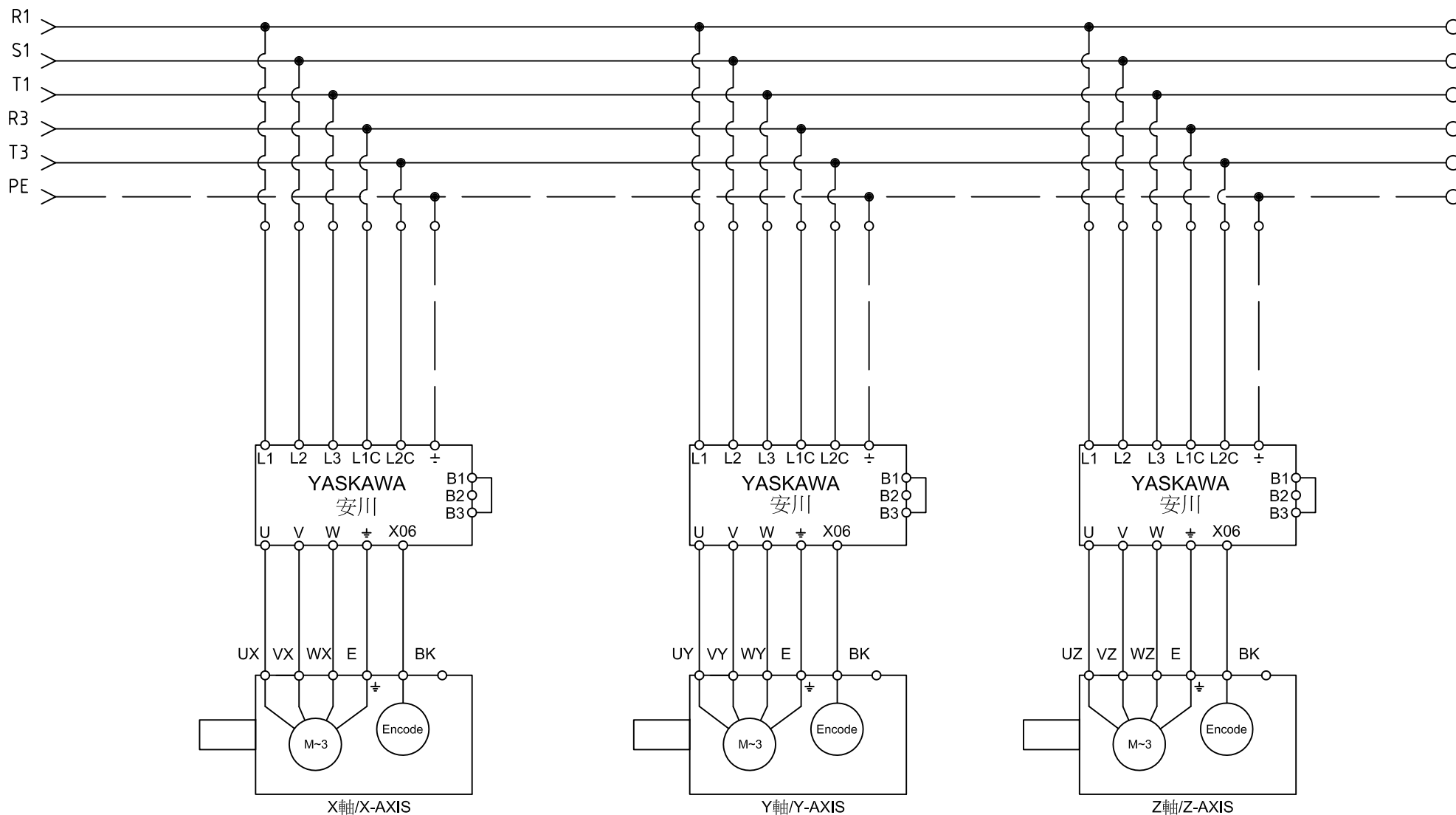


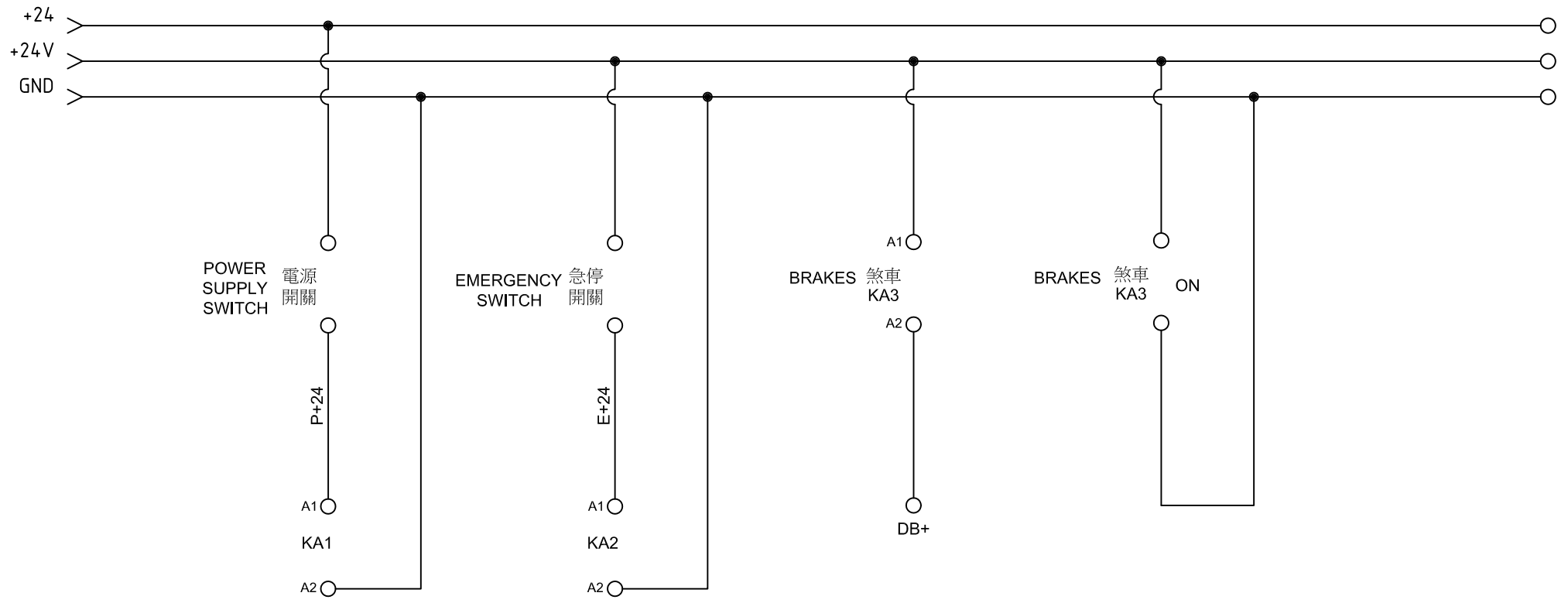


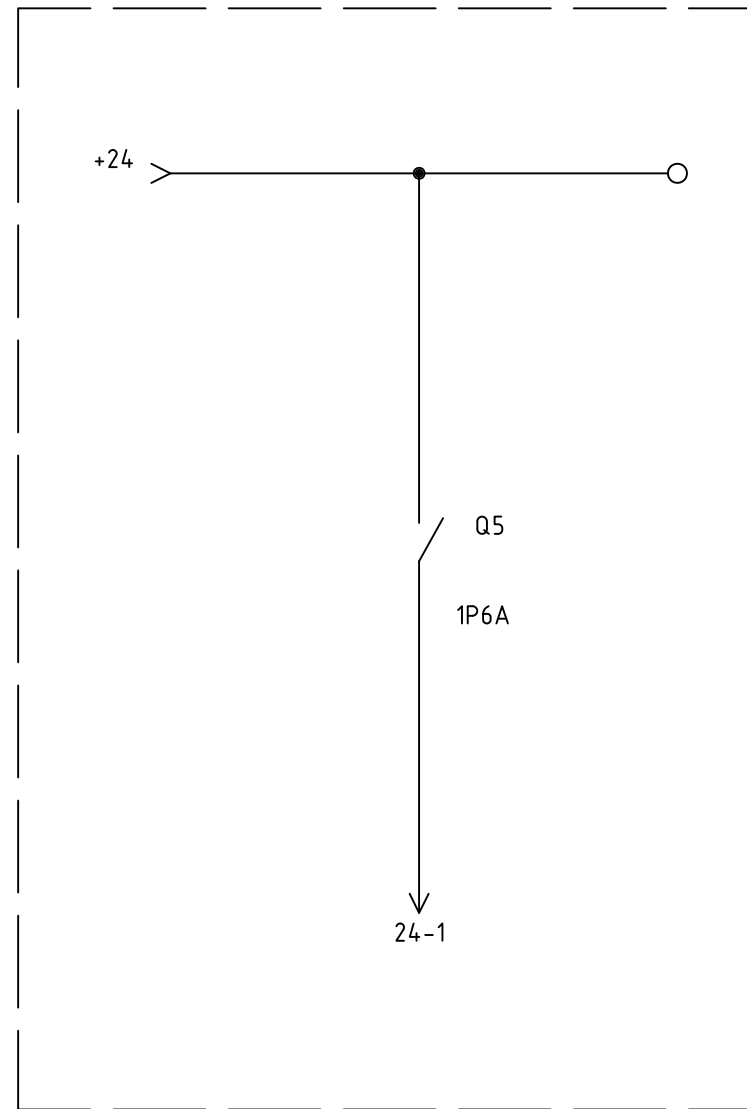
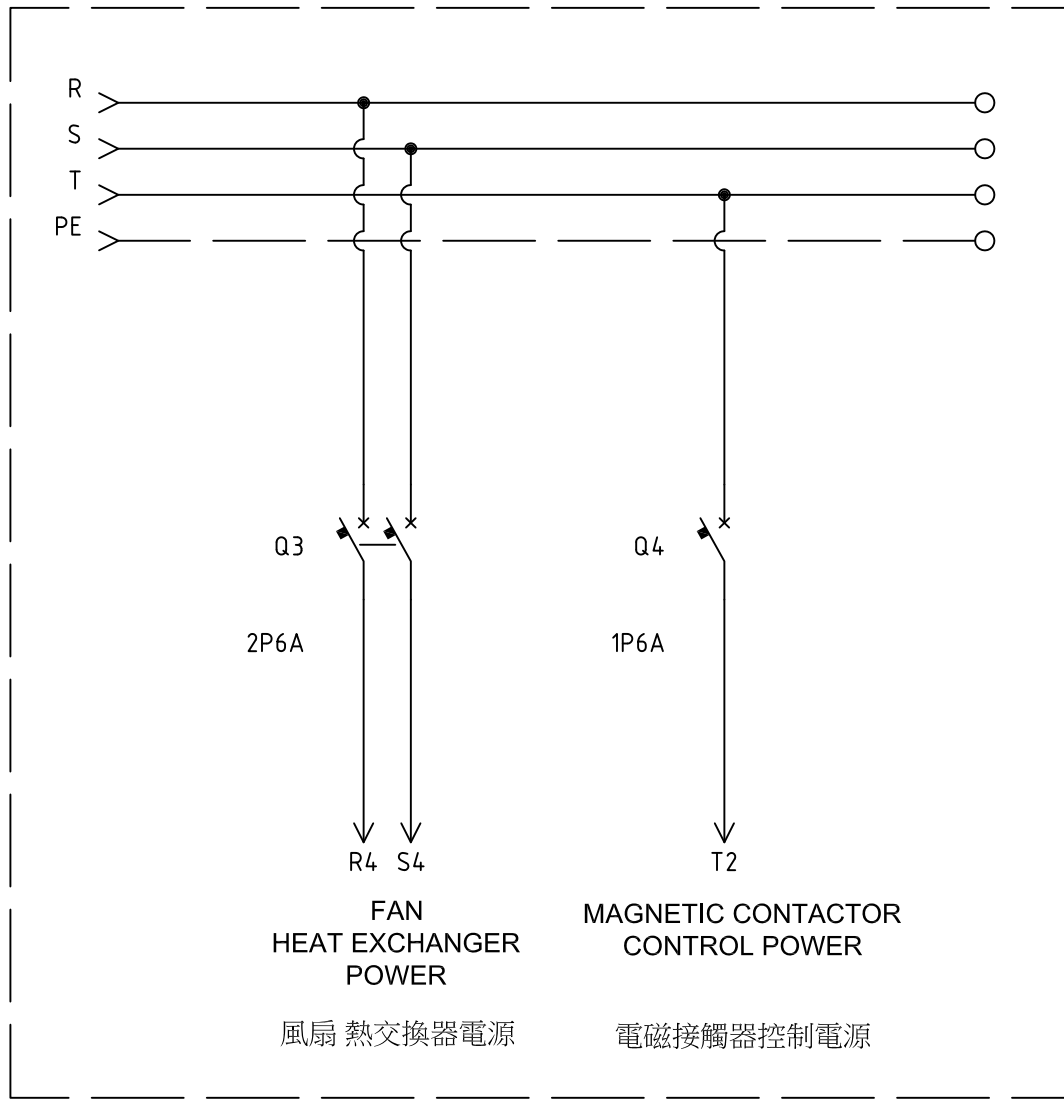


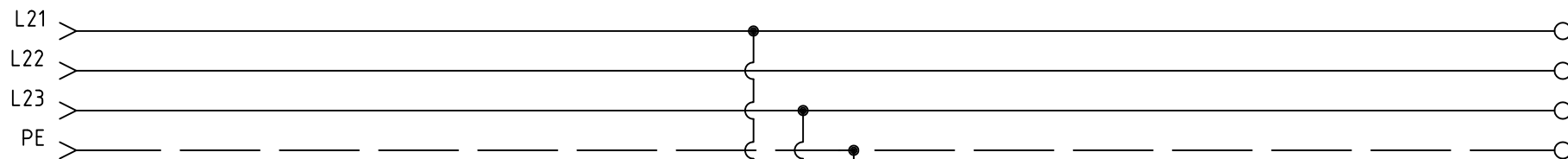












POWER SUPPLY

S-350-24

L N PE

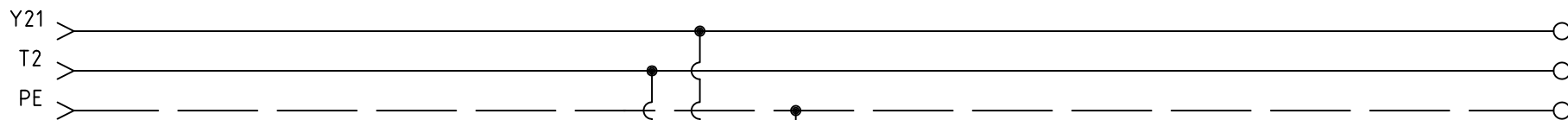
GS1

+V

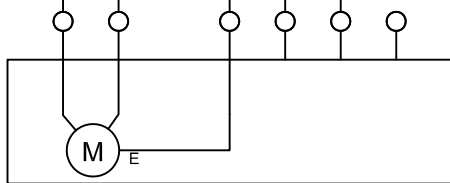
-V

+24

GND

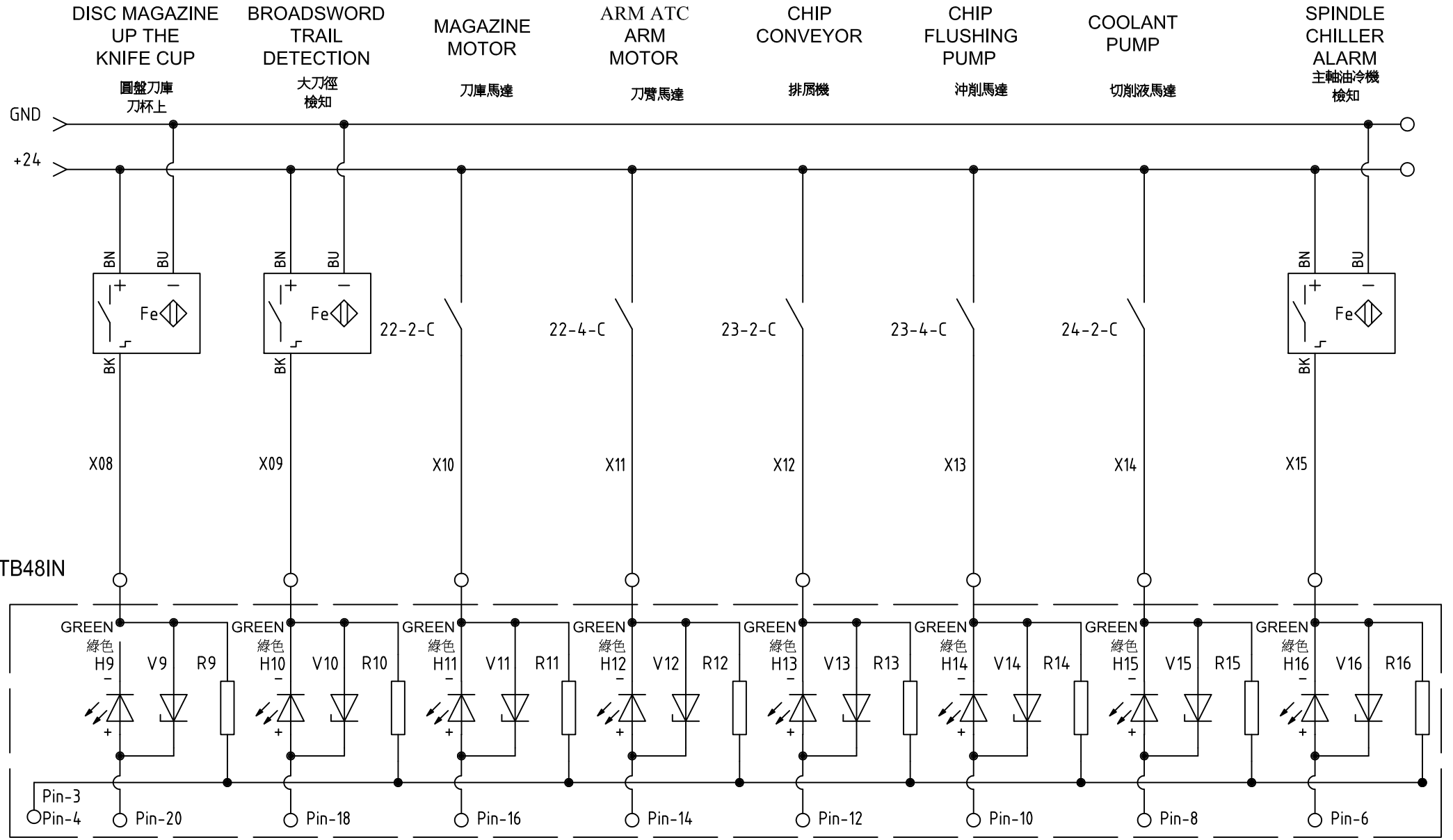


LUBRICANT
注油器

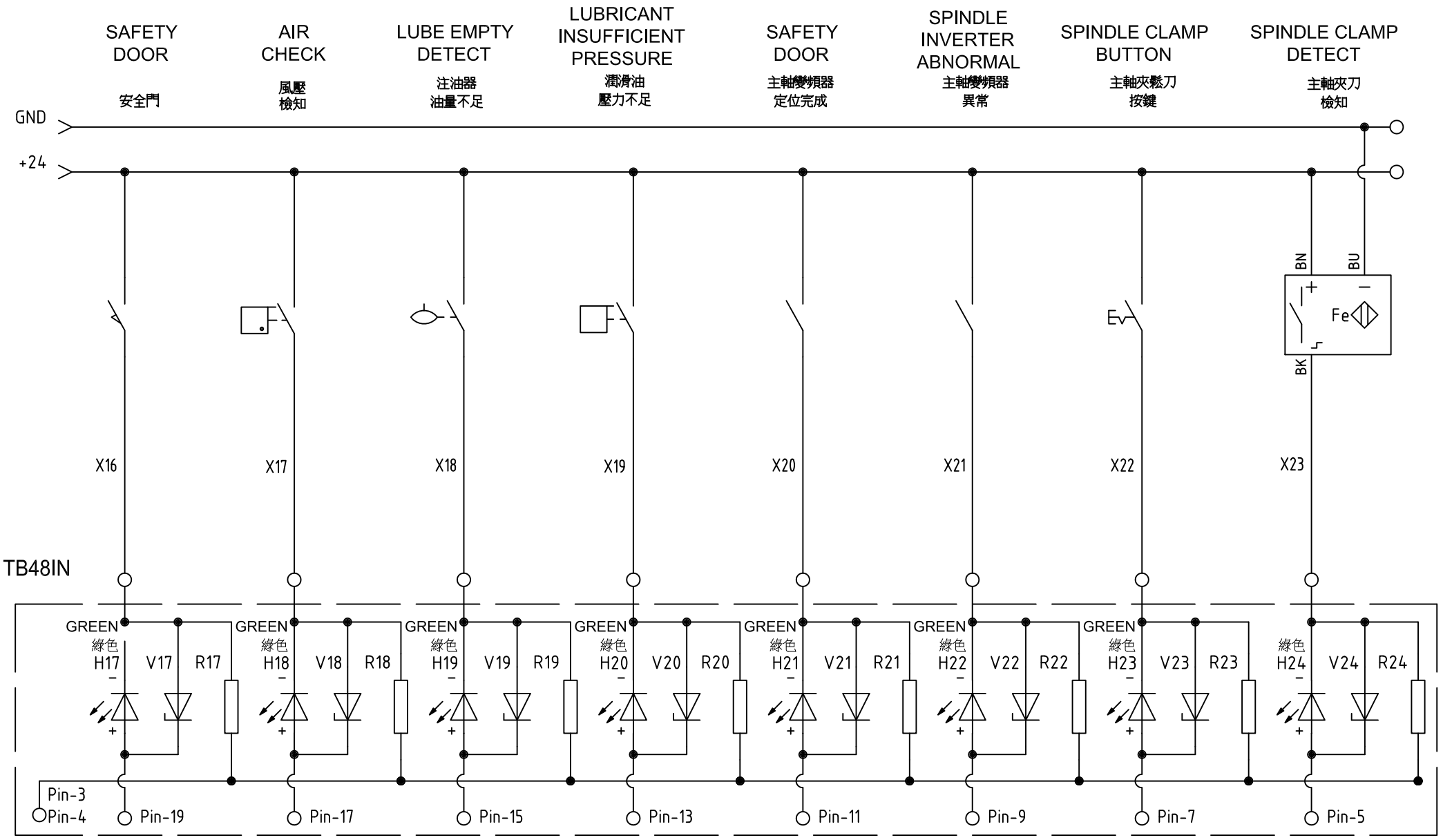


Controlled By Timer
計時器控制

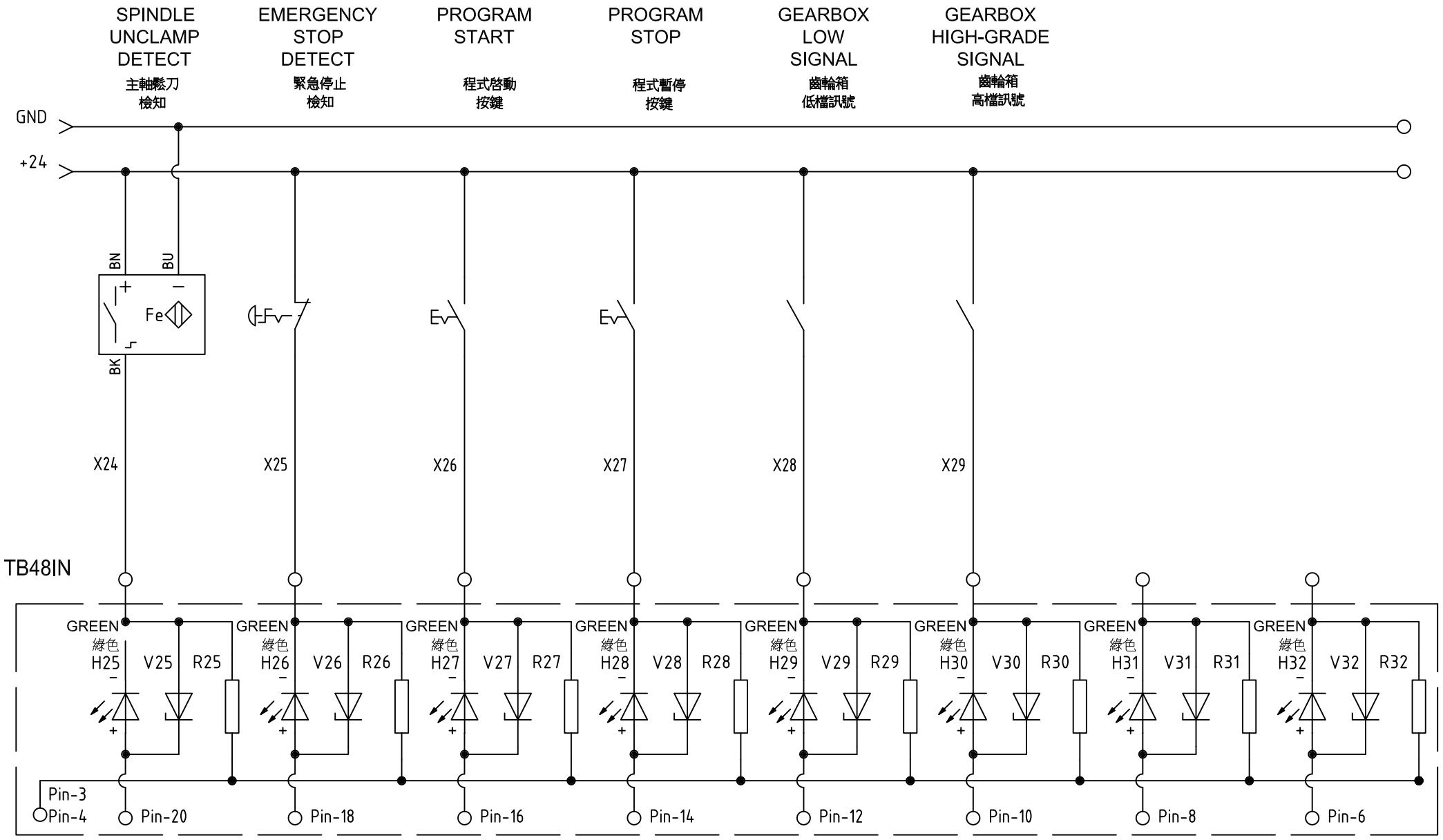
+24V X18
Y ↑

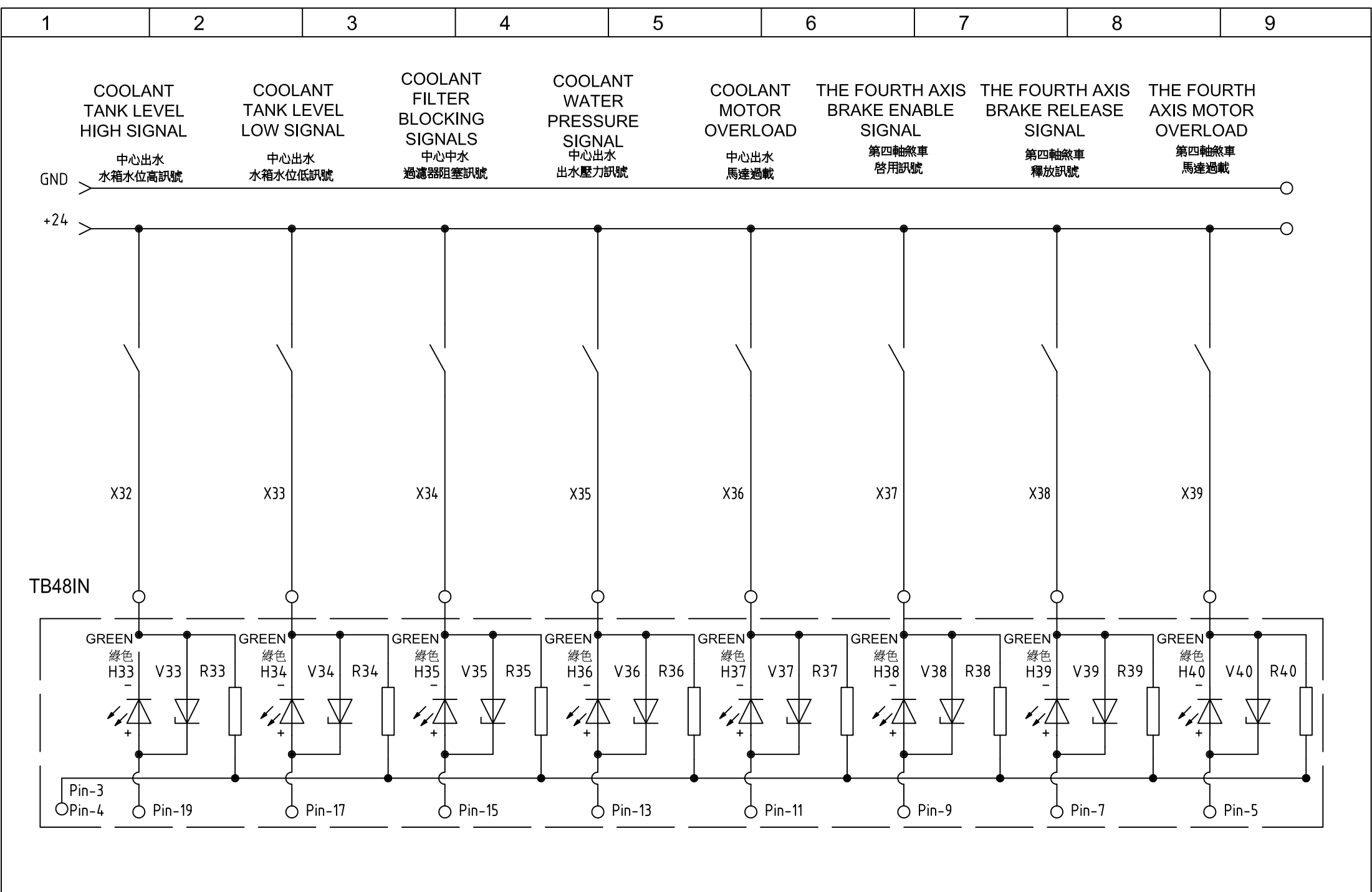


1 2 3 4 5 6 7 8 9

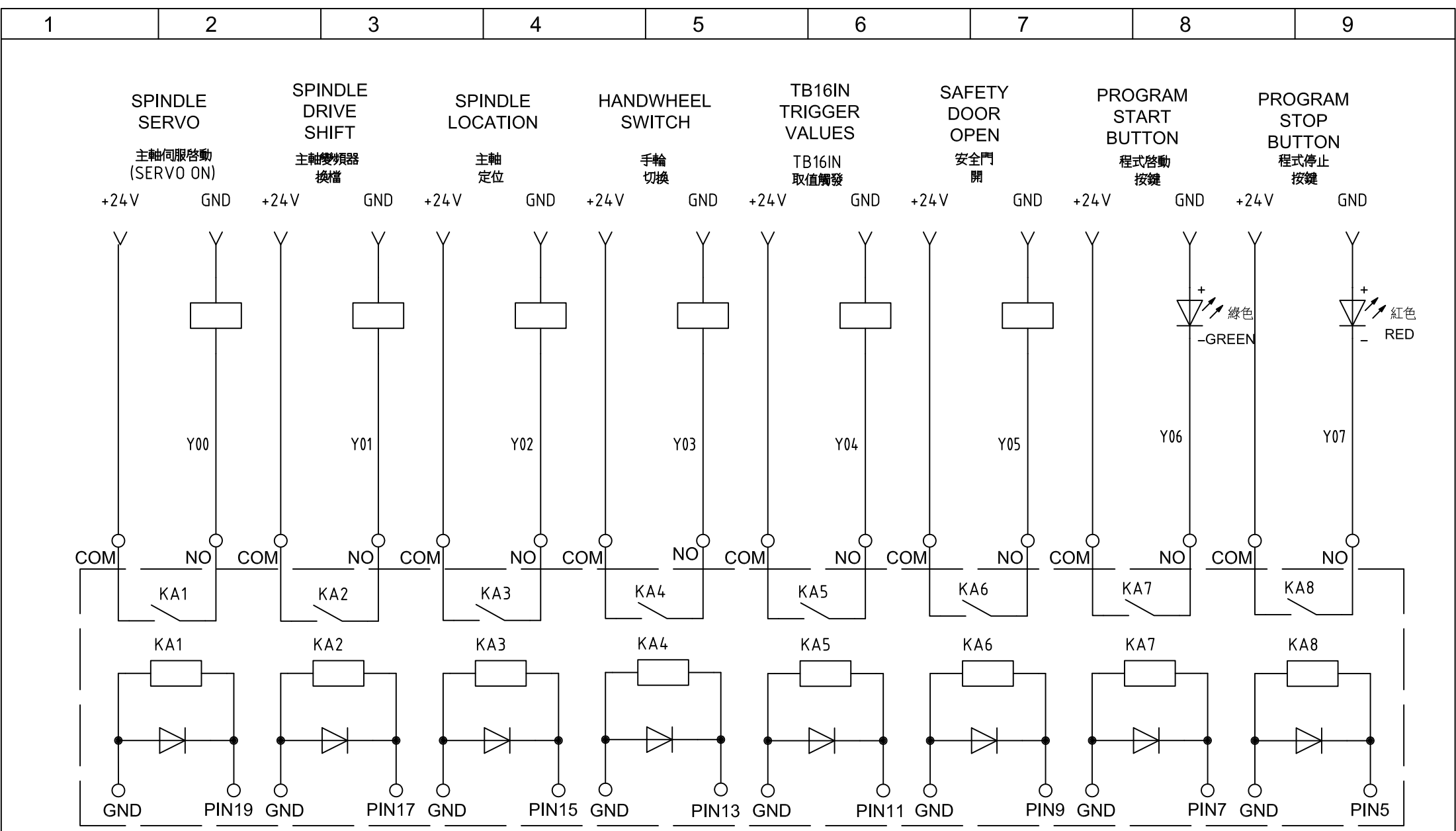


TTLE	IN PUT1-3	LEADERWAY	DESIGNER	CONTROL	MACHINE	PAGE	VER
			2007/05/15			13	V1.0

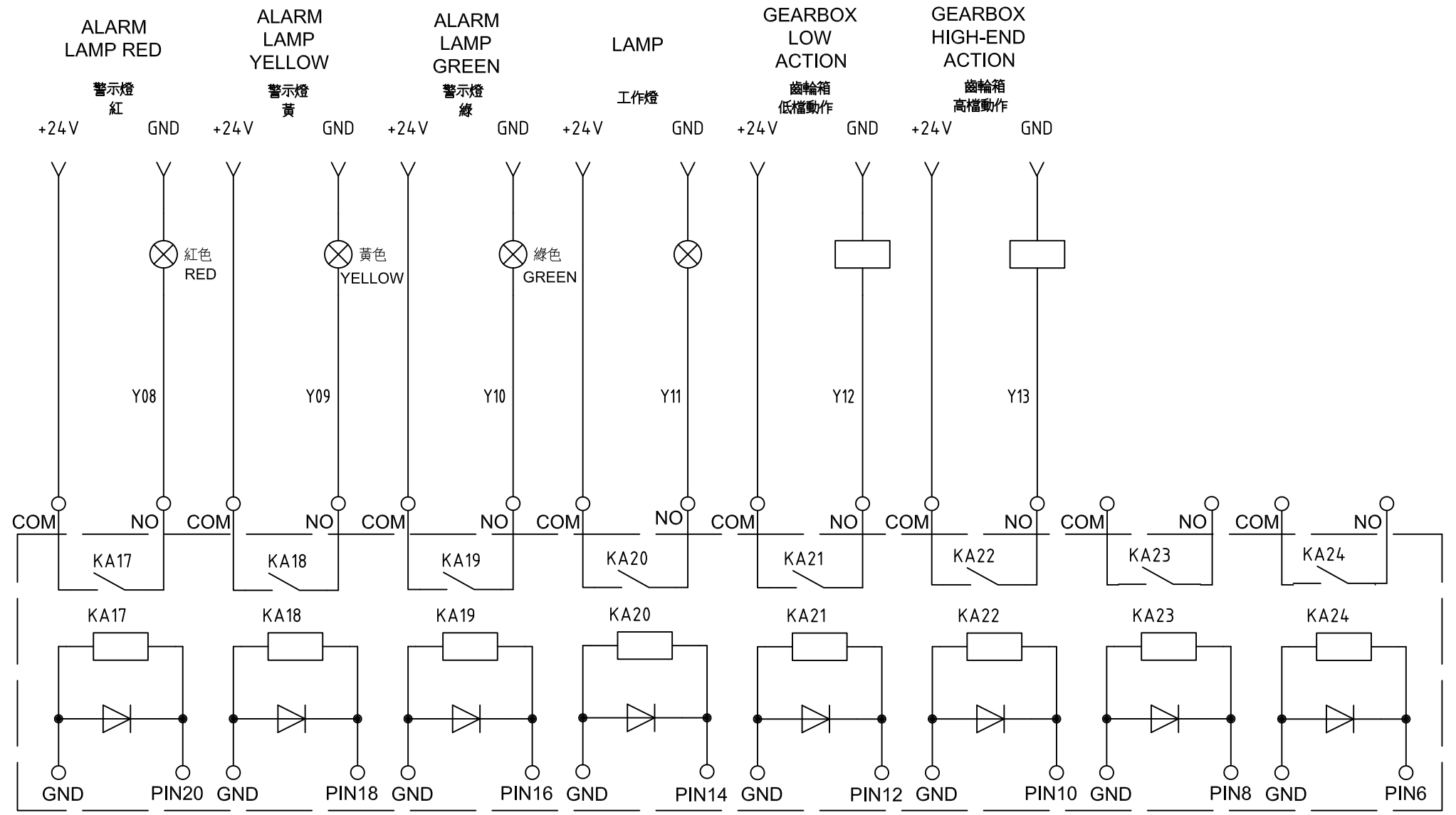




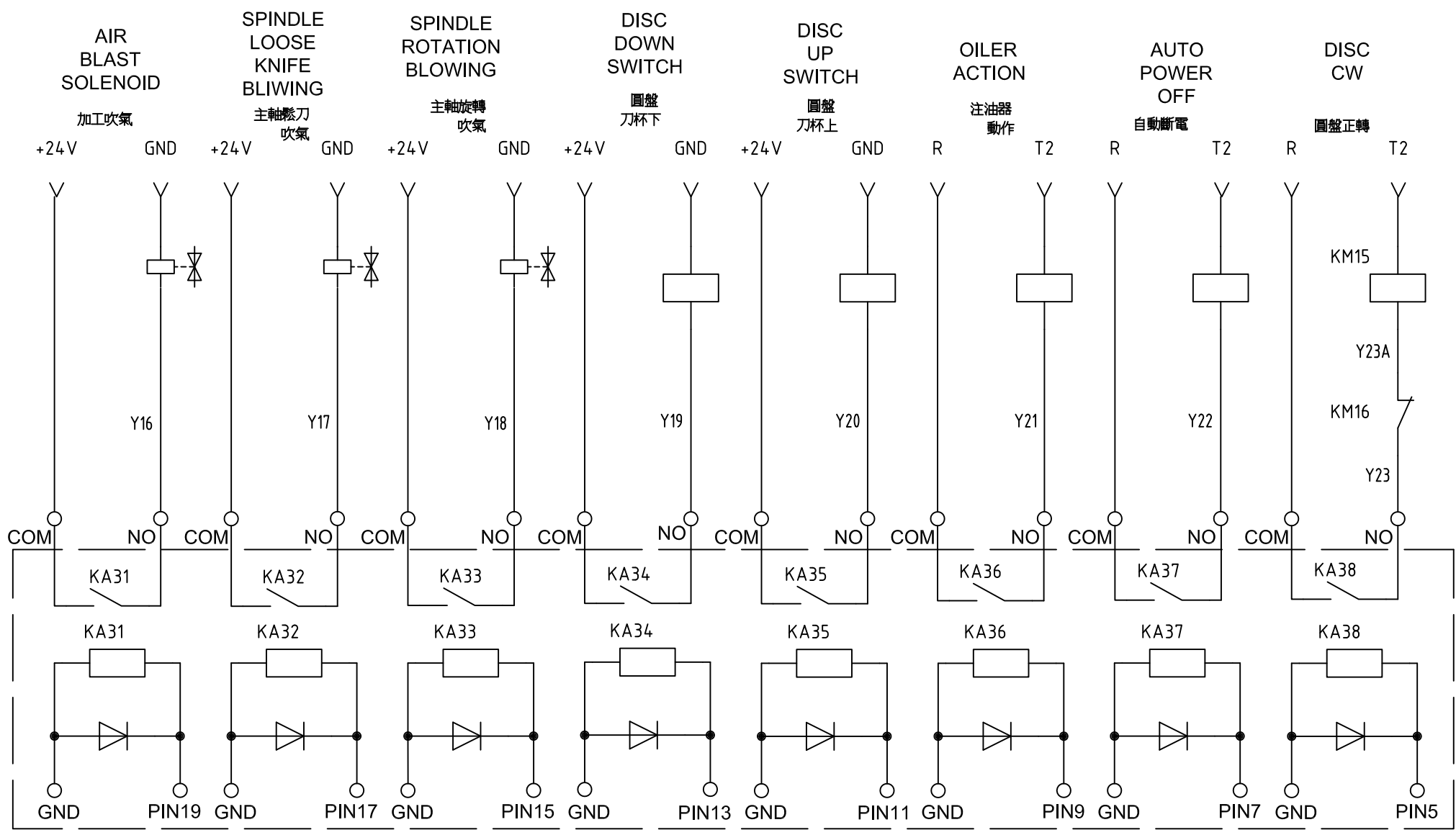
TTLE	IN PUT1-5	LEADERWAY	DESIGNER	CONTROL	MACHINE	PAGE	VER
			2007/05/15			15	V1.0



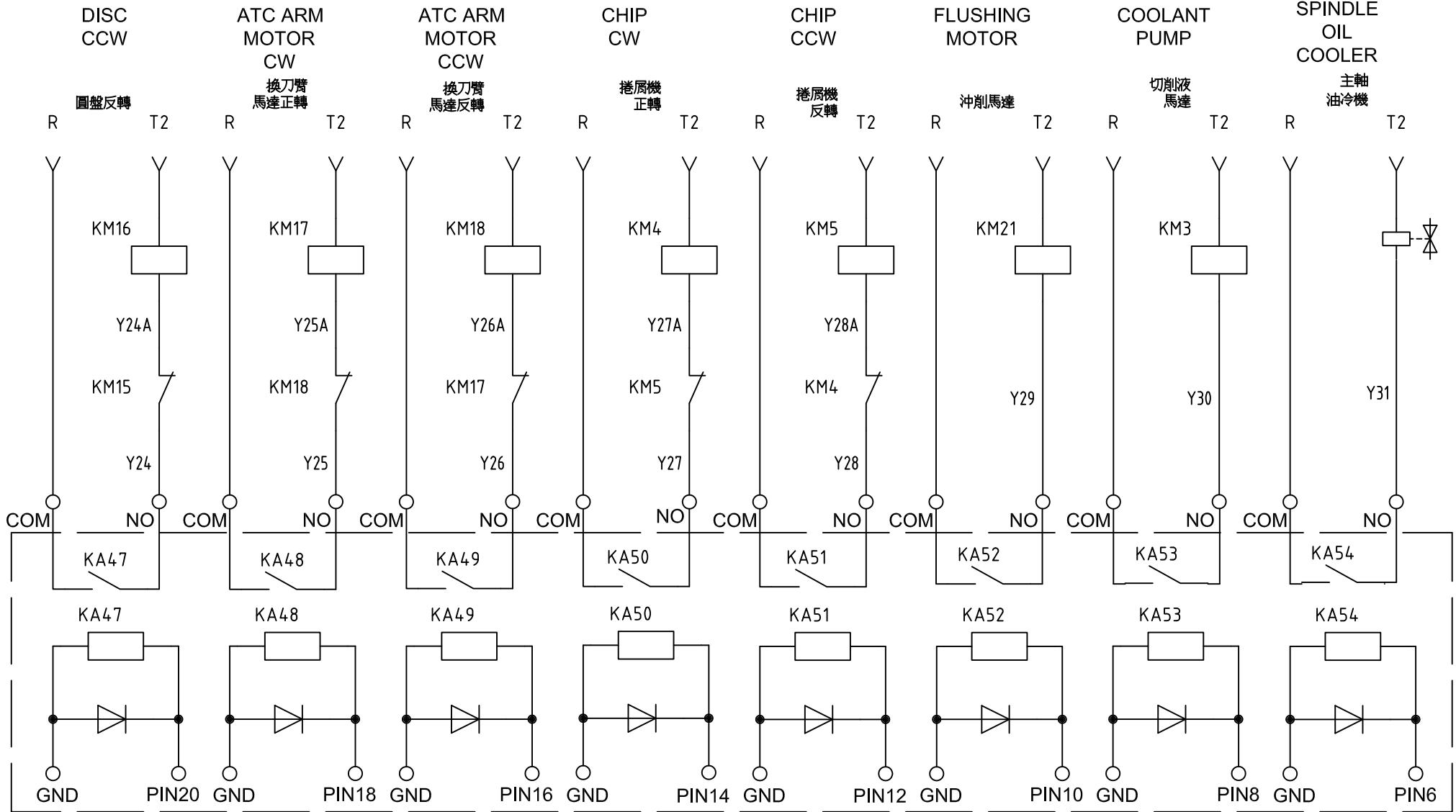
I/O PORT TO TB16OUT-1



I/O PORT TO TB16OUT-1



I/O PORT TO TB16OUT -2



I/O PORT TO TB16OUT -2

1

2

3

4

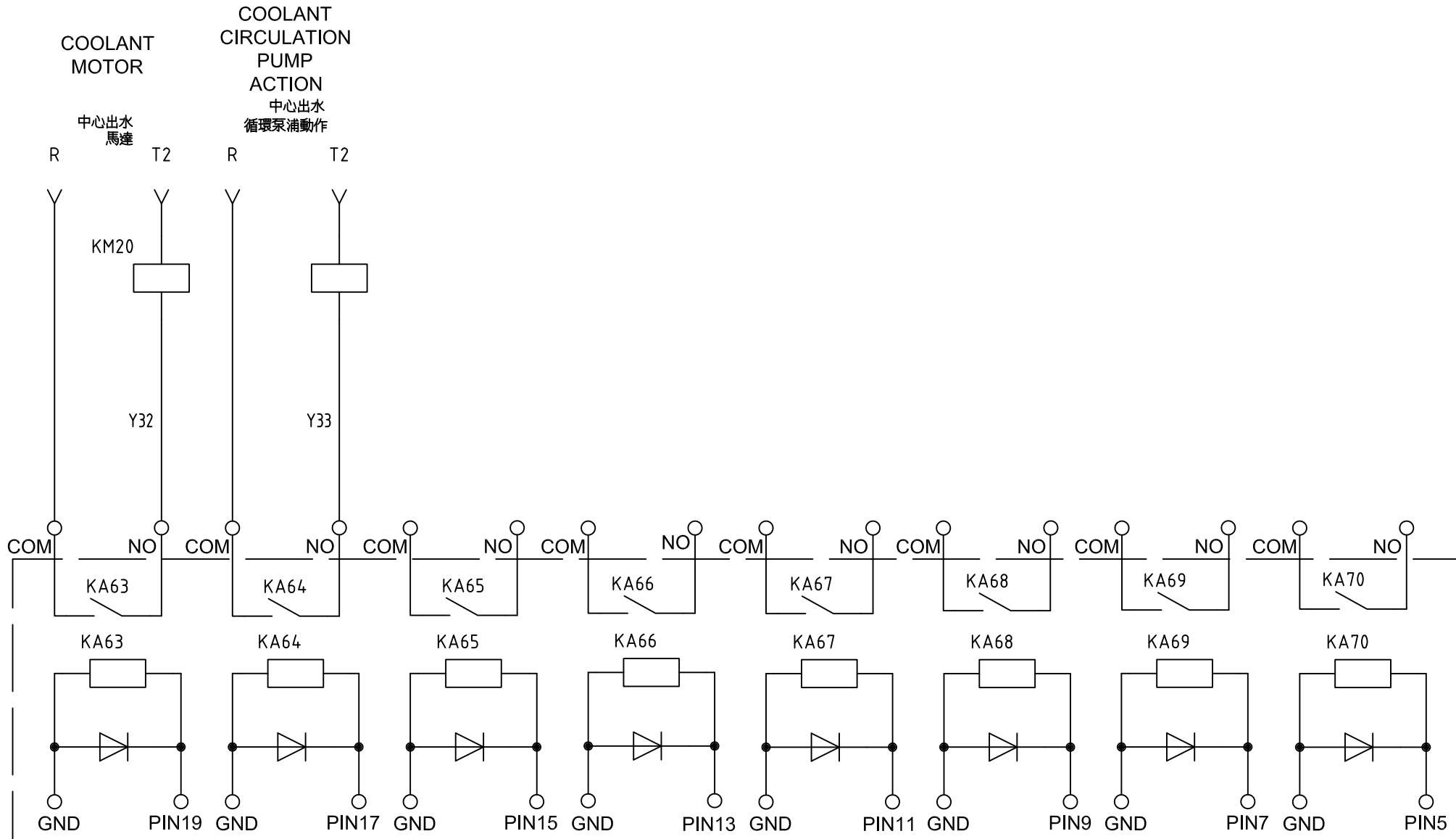
5

6

7

8

9



I/O PORT TO TB16OUT -3

TITLE

OUT PUT2-5

LEADERWAY

DESIGNER

CONTROL

MACHINE

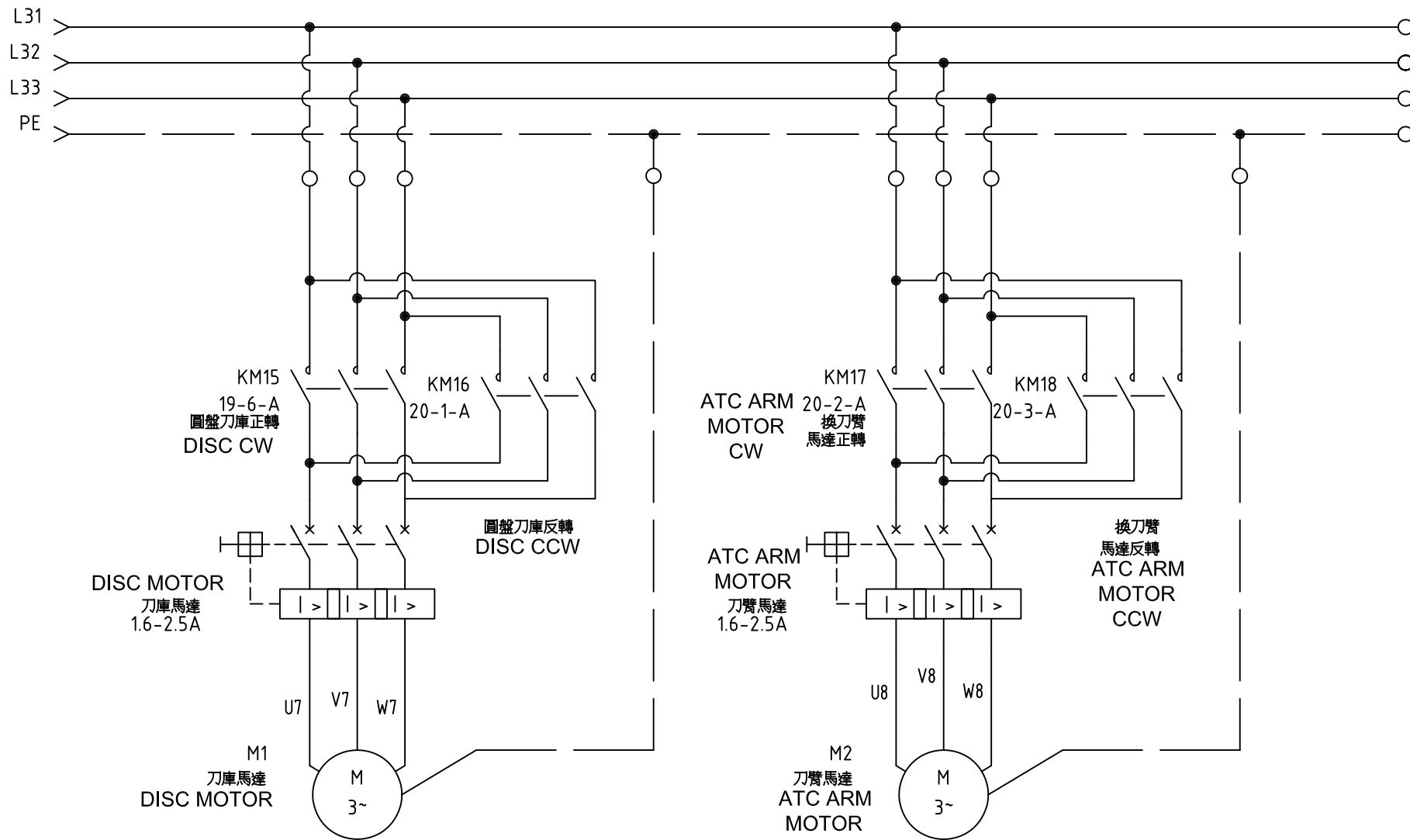
PAGE

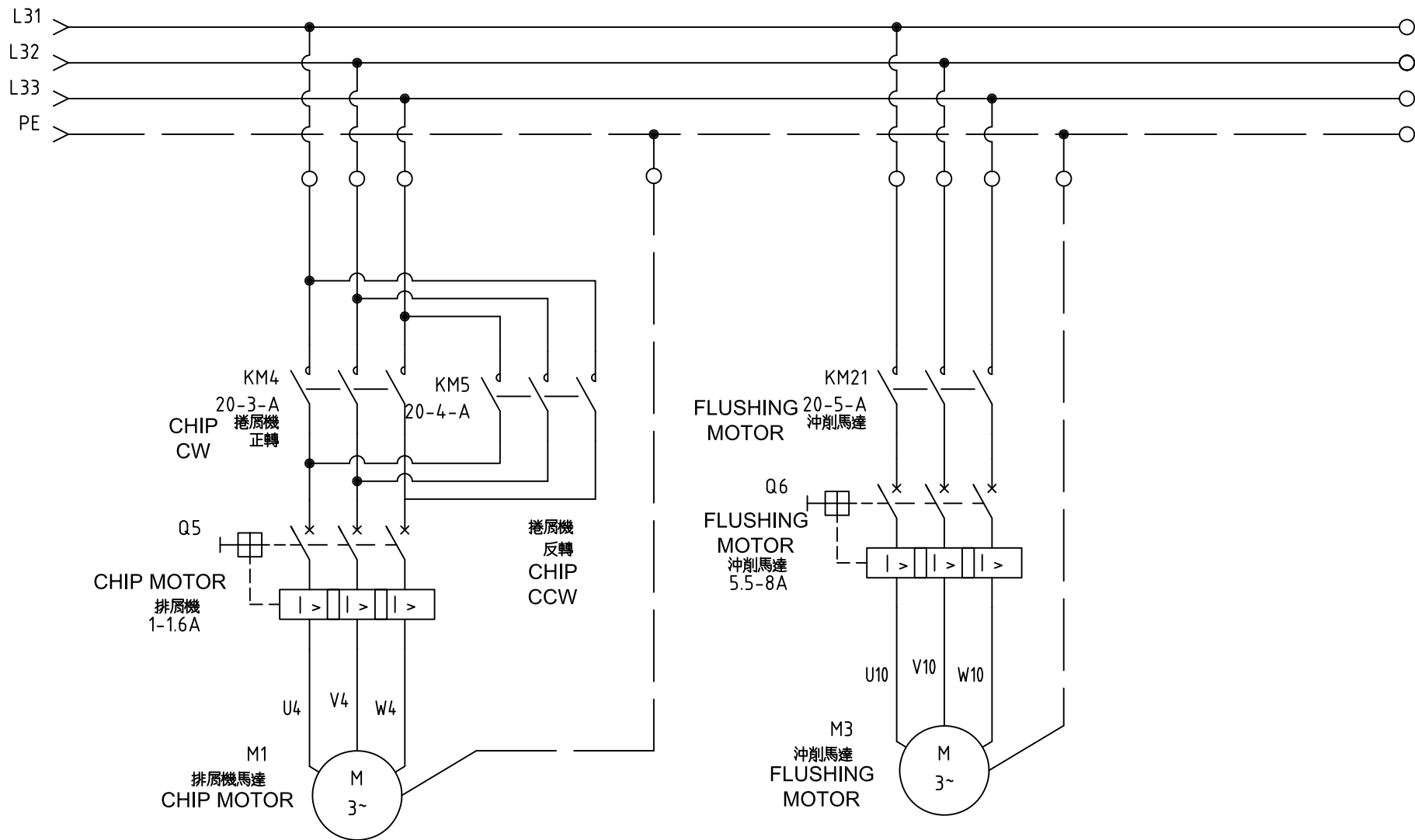
VER

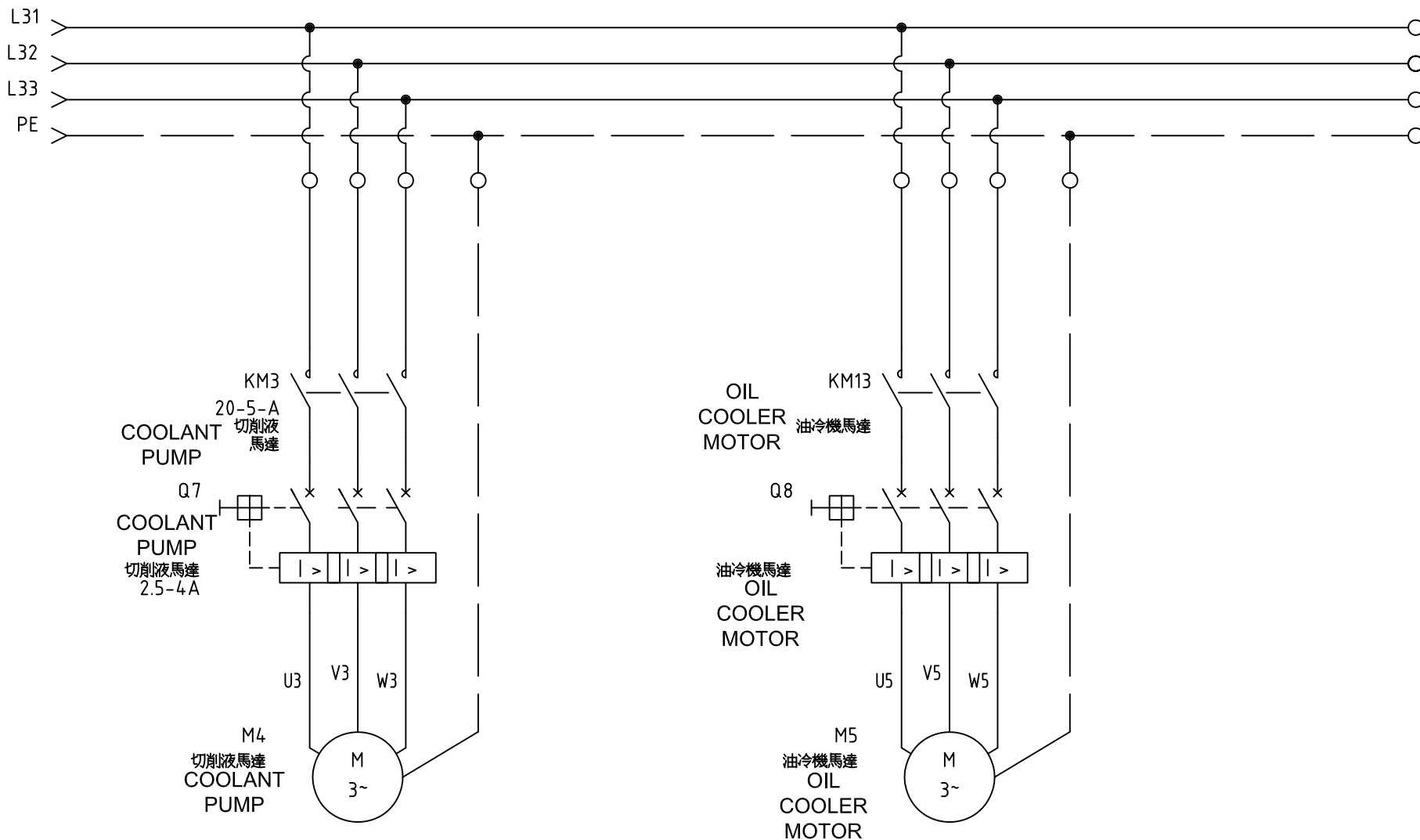
2007/05/15

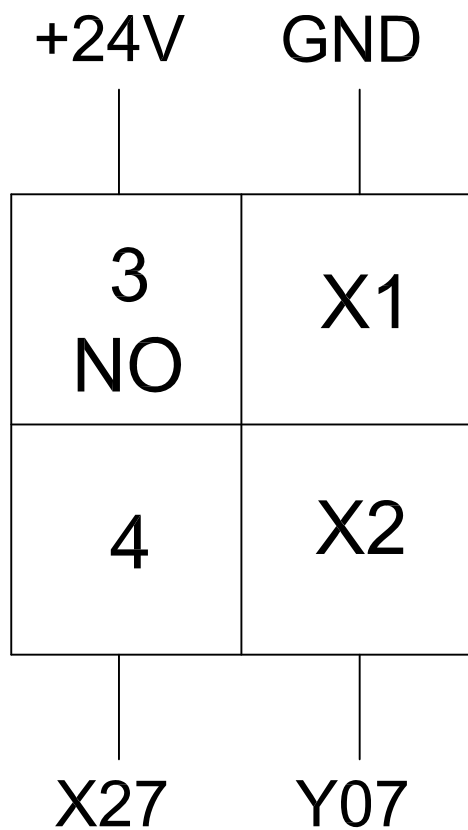
21

V1.0

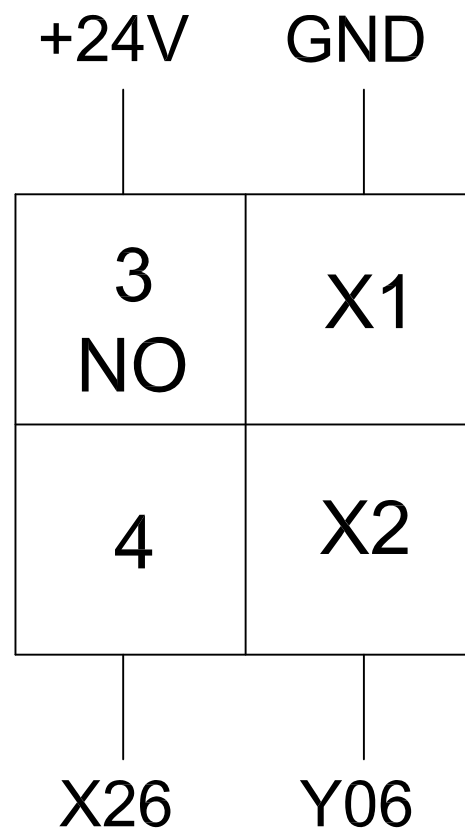








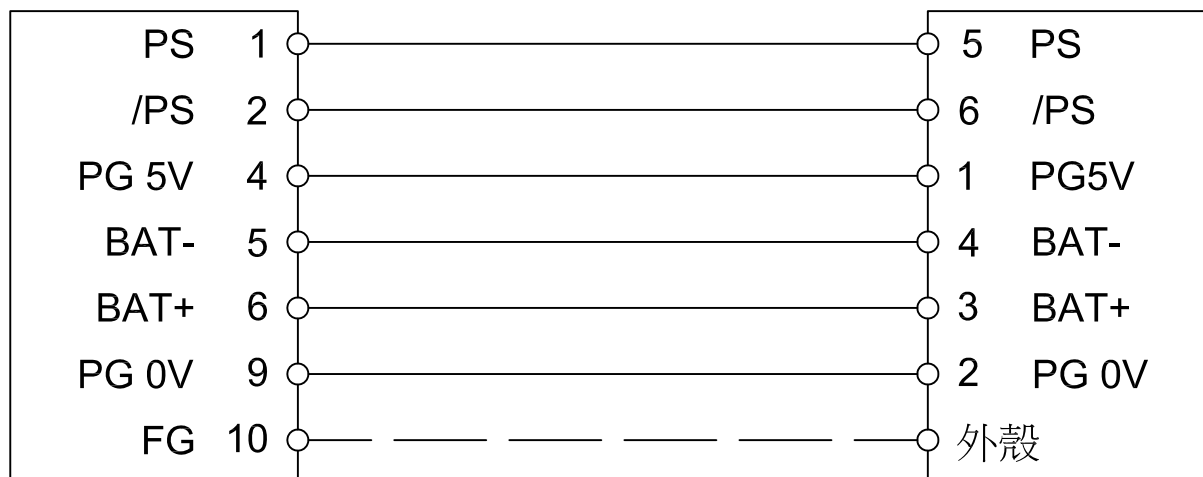
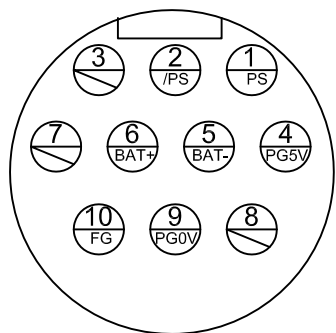
程式停止
PROGRAM STOP



程式啟動
PROGRAM STSRT

CM10-R10P-D

3M6PIN



CONTROLLER SIDE

CONTROLLER SIDE

